



Høgskolen i Telemark

## Calculation of Cable Parameters for Different Cable Shapes



Comsol Conference 2008, Hannover, Germany

Hannover,  
05.Nov.2008

H. Lorenzen, J. Timmerberg  
UAS OOW Wilhelmshaven, Germany  
S. Mylvaganam  
Telemark University College, Porsgrunn, Norway



Høgskolen i Telemark

## Calculation of Cable Parameters for Different Cable Shapes



- Motivation
- Point of focus (transmission lines)
- Approach of estimating parameters using COMSOL Multiphysics
- Verification
- Conclusions

Hannover,  
05.Nov.2008

H. Lorenzen, J. Timmerberg  
UAS OOW Wilhelmshaven, Germany  
S. Mylvaganam  
Telemark University College, Porsgrunn, Norway



Høgskolen i Telemark

## Calculation of Cable Parameters for Different Cable Shapes



- Motivation
- Point of focus (transmission lines)
- Approach of estimating parameters using Multiphysics
- Verification
- Conclusions

Hannover,  
05.Nov.2008

H. Lorenzen, J. Timmerberg  
UAS OOW Wilhelmshaven, Germany  
S. Mylvaganam  
Telemark University College, Porsgrunn, Norway

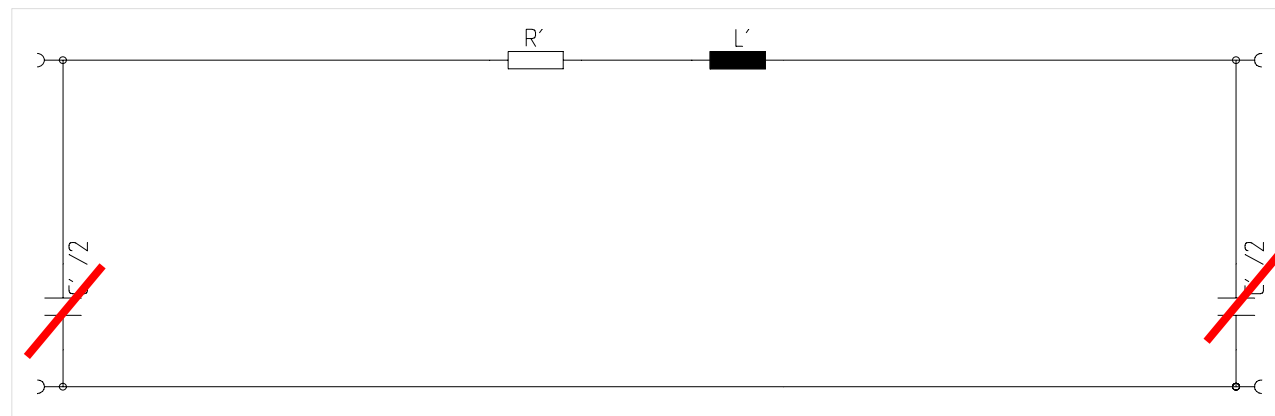
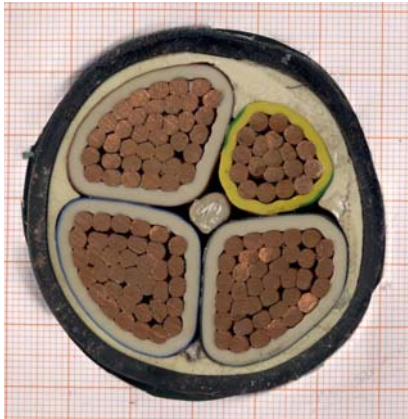
•3



Established

- Conventional power flow analysis for the fundamental component
- Considering balanced load
  - Single phase equivalent circuit diagram

model and available parameters





- Embedded generation, mainly based on wind-power, has achieved higher level of penetration → scattered harmonic excitation
  - Demand on Higher Harmonic Analysis Methods (scientific work):
    - Resonance mode analysis
      - All-phase and full-state dynamic models
      - For all Power System Components (generator, motor, lines, transformer, reactor, cap-banks) involved in Harmonic Resonance-Phenomena



Høgskolen i Telemark

## Calculation of Cable Parameters for Different Cable Shapes



### Validation of Harmonic-Analysis Methodology in Laboratory-Scale



1. Synchronous Generator
2. Generator Protection
3. Transformer
- ...
5. Line Segments and Busses
- ...
8. SCADA (Siemens WinCC)
9. Tap Changeable Transformer
14. Transient Grid Analyser

Hannover,  
05.Nov.2008

H. Lorenzen, J. Timmerberg  
UAS OOW Wilhelmshaven, Germany  
S. Mylvaganam  
Telemark University College, Porsgrunn, Norway



Høgskolen i Telemark

## Calculation of Cable Parameters for Different Cable Shapes



### Validation of Harmonic-Analysis Methodology in Laboratory-Scale



Hannover,  
05.Nov.2008

H. Lorenzen, J. Timmerberg  
UAS OOW Wilhelmshaven, Germany  
S. Mylvaganam  
Telemark University College, Porsgrunn, Norway



Høgskolen i Telemark

## Calculation of Cable Parameters for Different Cable Shapes



- Embedded generation, mainly based on wind-power, has achieved higher level of penetration → scattered harmonic excitation
  - Demand on Higher Harmonic Analysis Methods (scientific work):
    - Manufacturers also require such detailed knowledge for customer fulfillment

Hannover,  
05.Nov.2008

H. Lorenzen, J. Timmerberg  
UAS OOW Wilhelmshaven, Germany  
S. Mylvaganam  
Telemark University College, Porsgrunn, Norway





Høgskolen i Telemark

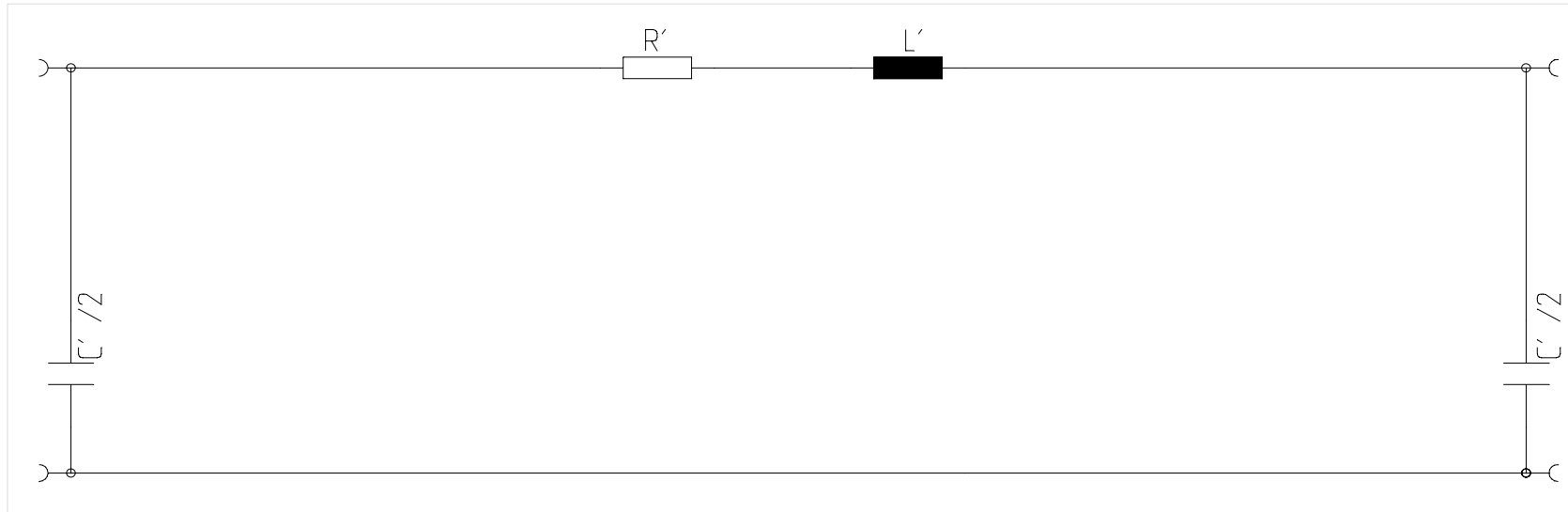
## Calculation of Cable Parameters for Different Cable Shapes



- Motivation
- point of focus (transmission lines)
- Approach of estimating parameters using Multiphysics
- verification
- Conclusions

Hannover,  
05.Nov.2008

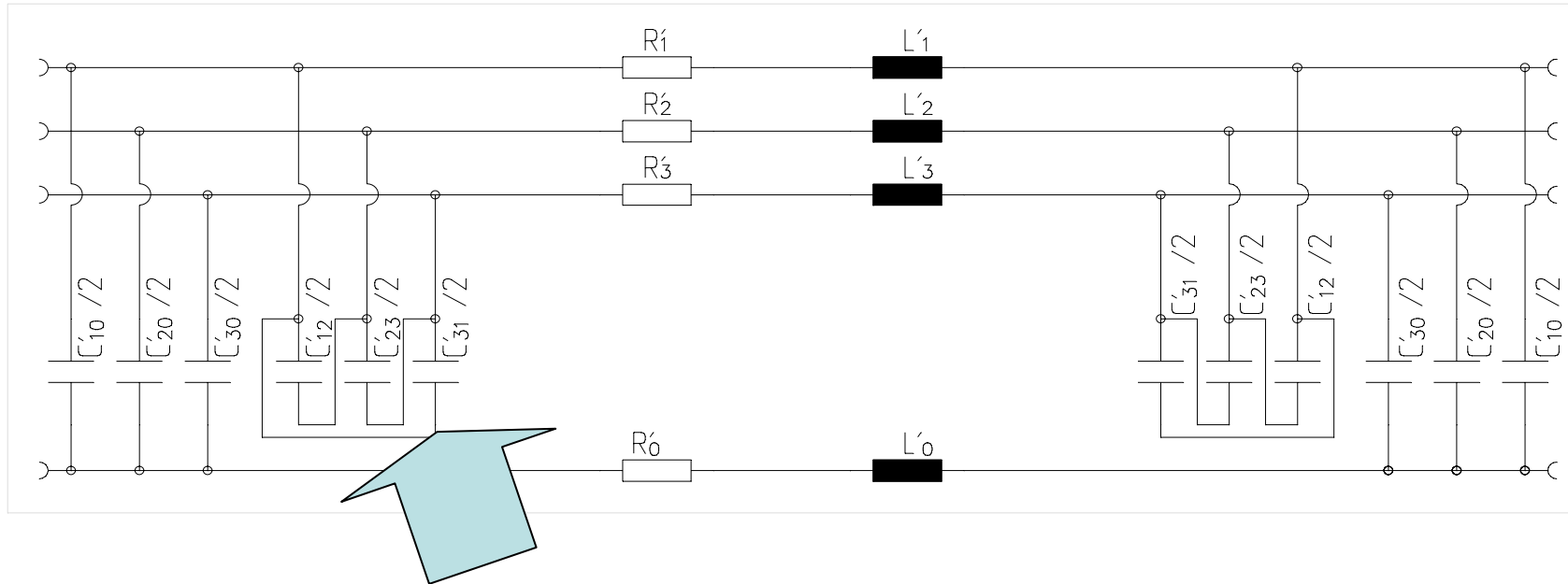
H. Lorenzen, J. Timmerberg  
UAS OOW Wilhelmshaven, Germany  
S. Mylvaganam  
Telemark University College, Porsgrunn, Norway



•  $R' L' C' \rightarrow R'(f) L'(f) C'(f)$



# Calculation of Cable Parameters for Different Cable Shapes

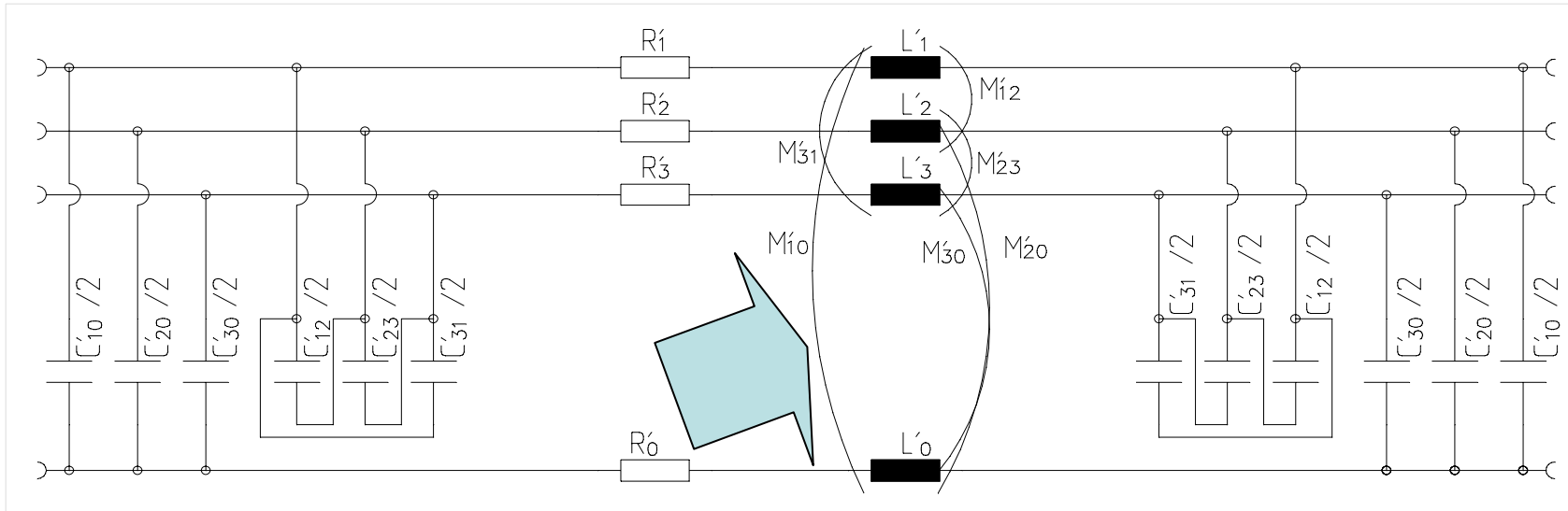


•  $R' L' C' \rightarrow R'(f) L'(f) C'(f)$





# Calculation of Cable Parameters for Different Cable Shapes



$$\begin{bmatrix}
 R'_1 + L'_1 & M'_{12} & M'_{13} & M'_{20} \\
 M'_{21} & R'_2 + L'_2 & M'_{23} & M'_{30} \\
 M'_{31} & M'_{32} & R'_3 + L'_3 & M'_{03} \\
 M'_{01} & M'_{02} & M'_{03} & R'_0 + L'_0
 \end{bmatrix}
 \begin{matrix}
 R'(f) \\
 L'(f)
 \end{matrix}$$

• skin and proximity effect



Høgskolen i Telemark

## Calculation of Cable Parameters for Different Cable Shapes



- Motivation
- Point of focus (transmission lines)
- Approach of estimating parameters using Multiphysics
- Verification
- Conclusions

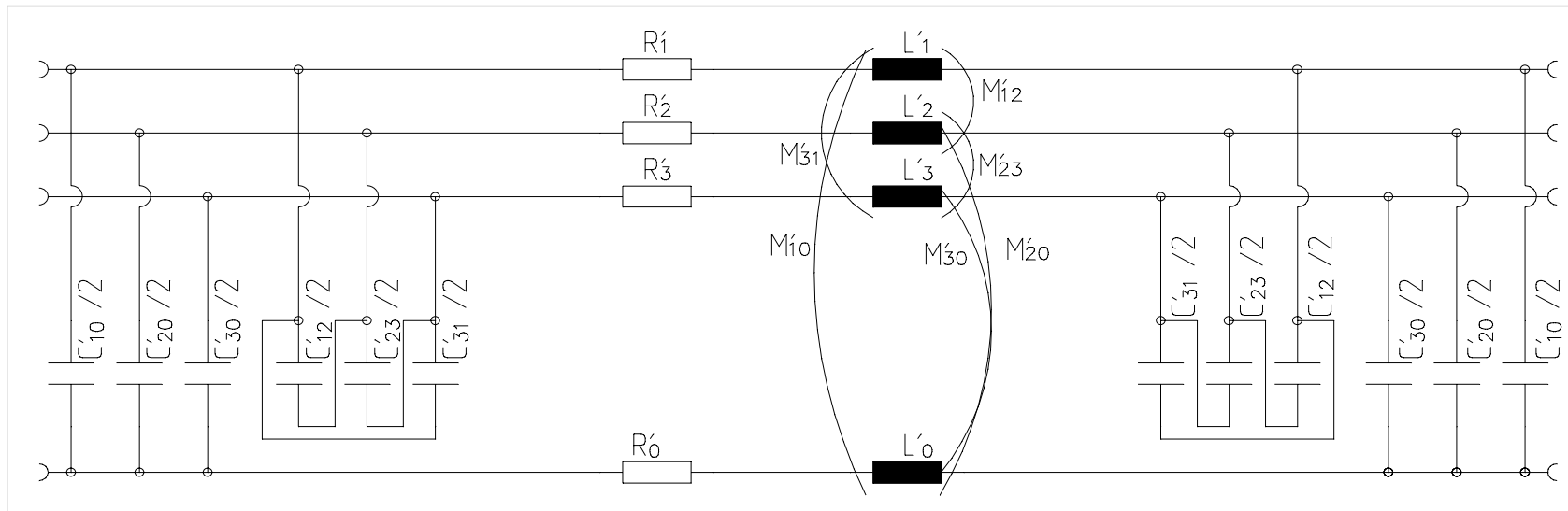
Hannover,  
05.Nov.2008

H. Lorenzen, J. Timmerberg  
UAS OOW Wilhelmshaven, Germany  
S. Mylvaganam  
Telemark University College, Porsgrunn, Norway

•13



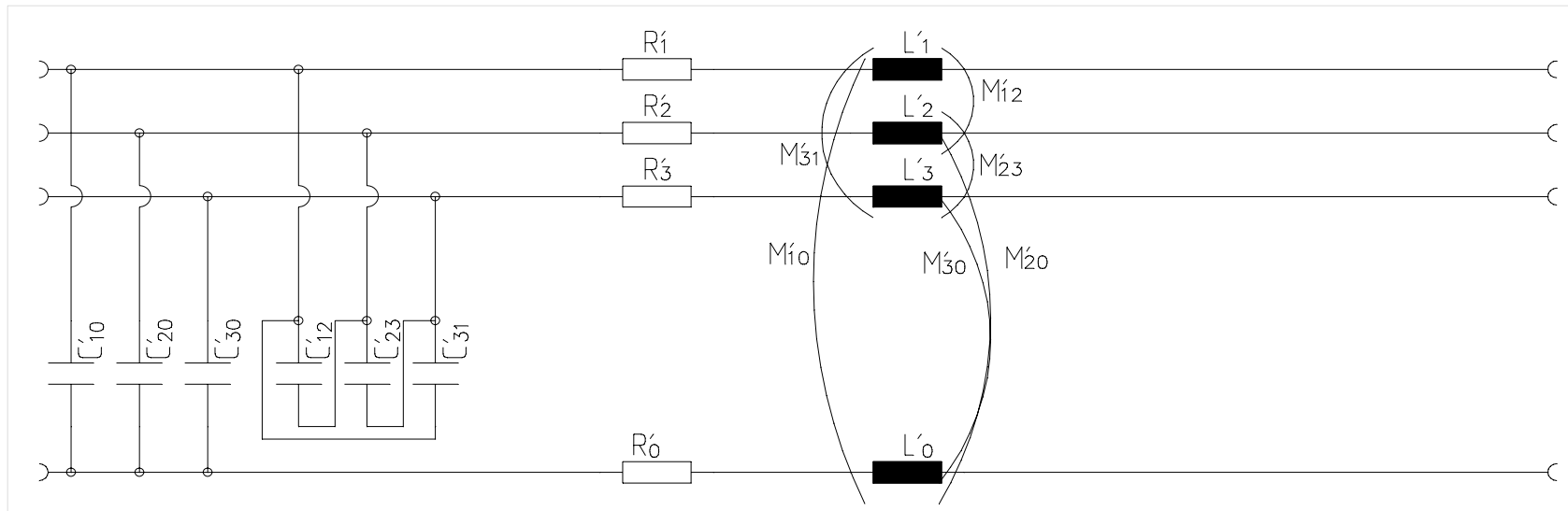
# Calculation of Cable Parameters for Different Cable Shapes



$$R' L' C' \rightarrow R'(f) L'(f) C'(f)$$



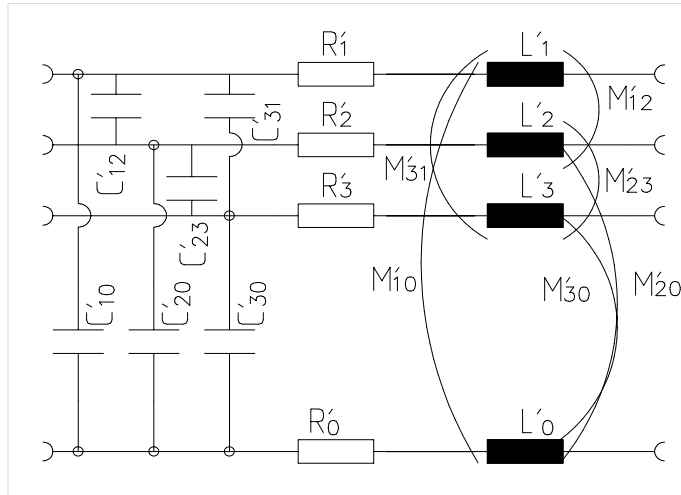
# Calculation of Cable Parameters for Different Cable Shapes



$$R' L' C' \rightarrow R'(f) L'(f) C'(f)$$

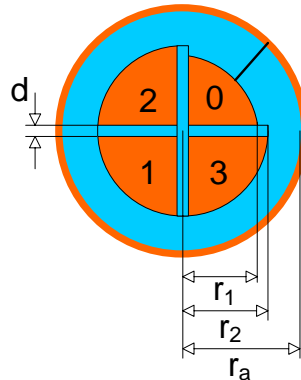
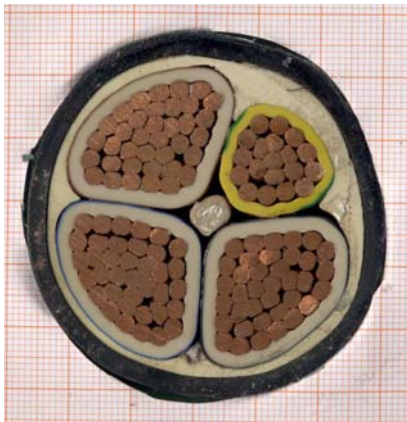


# Calculation of Cable Parameters for Different Cable Shapes

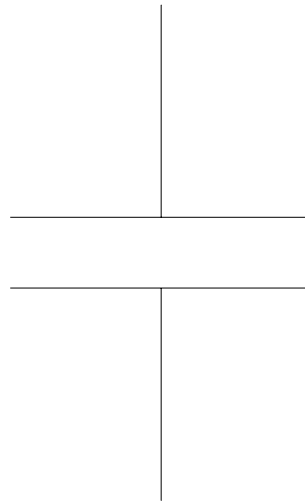
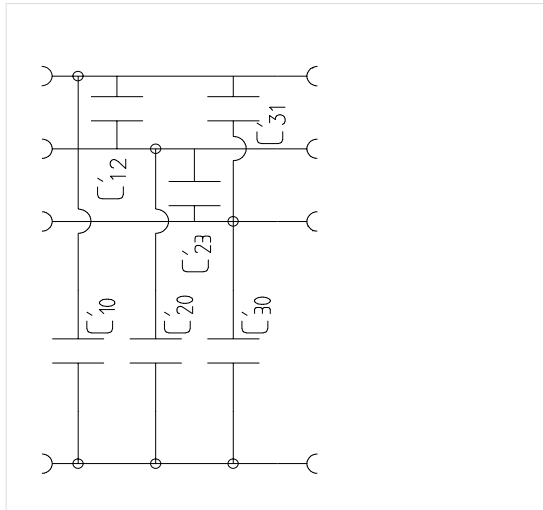


calculation of the cable parameters with two separate steps

- Capacitances using „Electrostatic“ modul
- Resistances and Inductances using “AC-Electromagnetic” modul

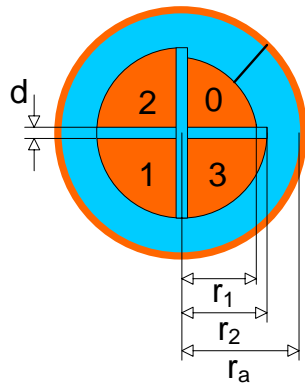


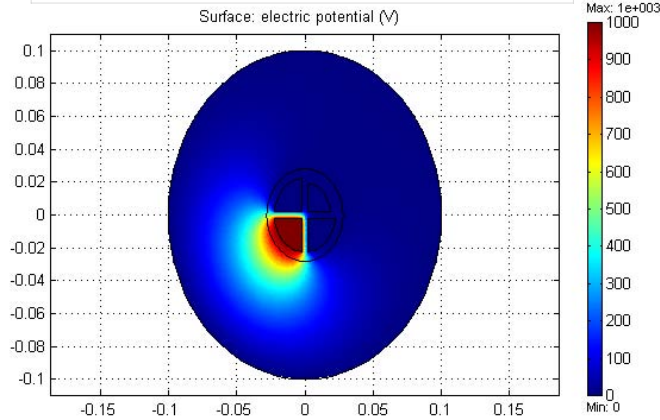
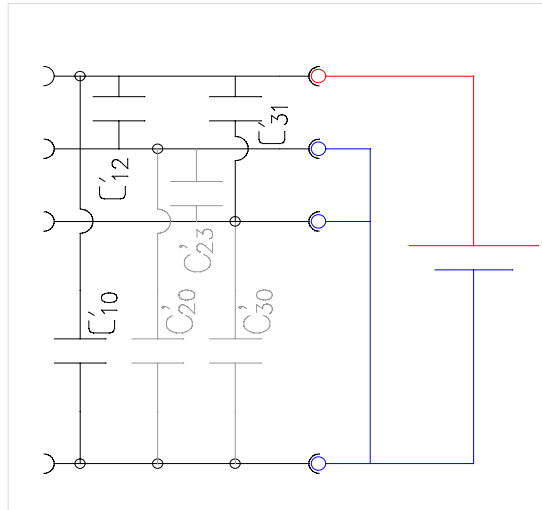




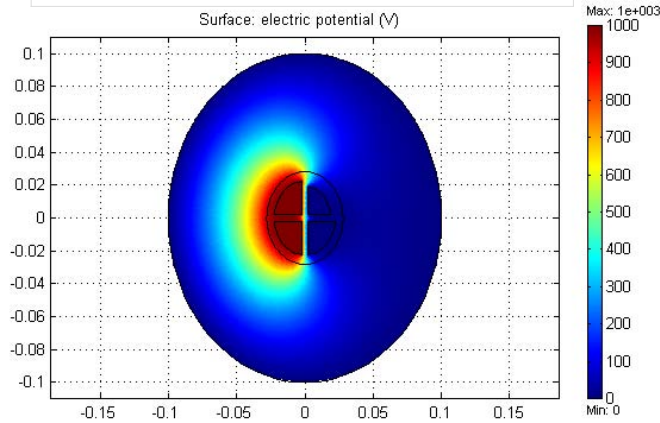
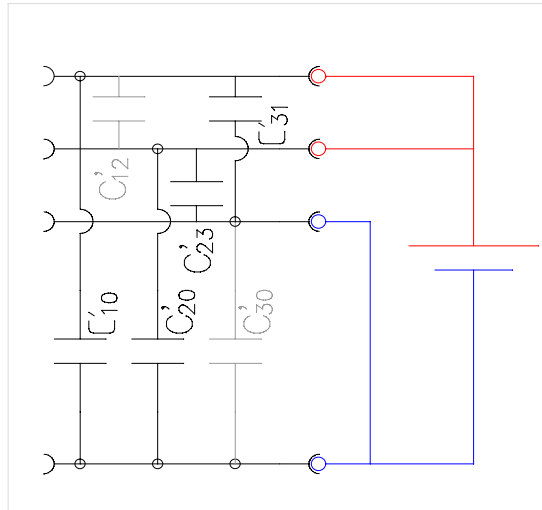
$$W = \frac{1}{2} C \cdot U^2$$

$$C = \frac{2}{U^2} \cdot W$$

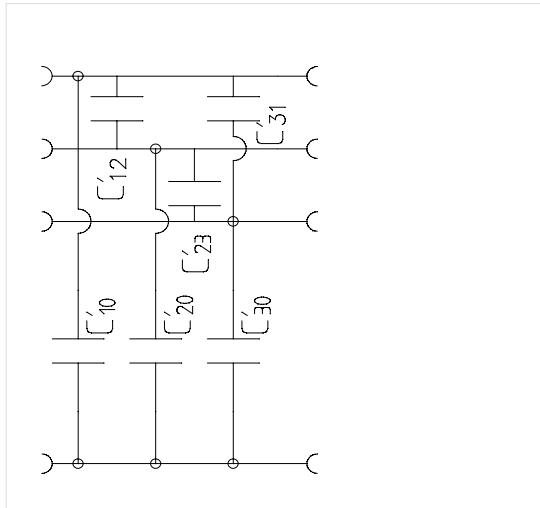




$$\begin{bmatrix} 1 & 0 & 0 & 1 & 0 & 1 \end{bmatrix} \cdot \begin{bmatrix} C_{10} \\ C_{30} \\ C_{30} \\ C_{12} \\ C_{23} \\ C_{31} \end{bmatrix} = \frac{2}{U^2} \begin{bmatrix} W_{e1} \end{bmatrix}$$



$$\begin{bmatrix} 1 & 0 & 0 & 1 & 0 & 1 \\ 1 & 1 & 0 & 0 & 1 & 1 \end{bmatrix} \cdot \begin{bmatrix} C_{10} \\ C_{30} \\ C_{30} \\ C_{12} \\ C_{23} \\ C_{31} \end{bmatrix} = \frac{2}{U^2} \begin{bmatrix} W_{e1} \\ W_{e2} \end{bmatrix}$$

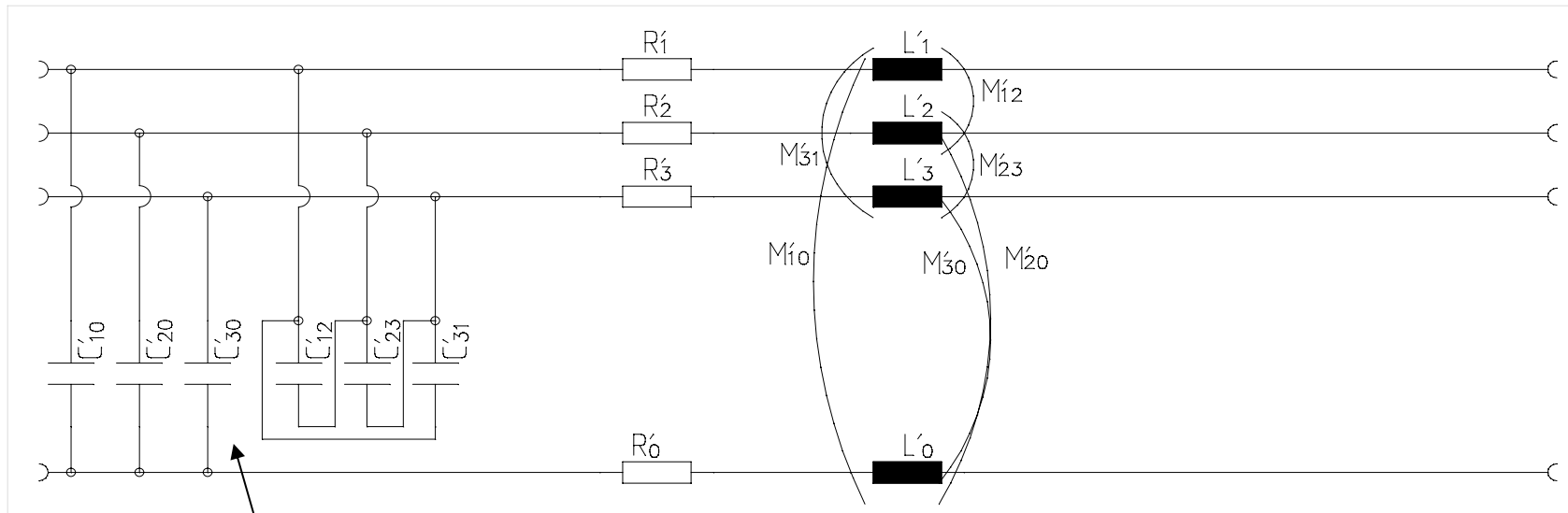


$$\begin{pmatrix} C'_{10} \\ C'_{20} \\ C'_{30} \\ C'_{12} \\ C'_{23} \\ C'_{31} \end{pmatrix} = \begin{pmatrix} 146 \\ 17.4 \\ 146 \\ 147 \\ 147 \\ 7.24 \end{pmatrix} \frac{nF}{km}$$

$$\begin{bmatrix} 1 & 0 & 0 & 1 & 0 & 1 \\ 0 & 1 & 0 & 1 & 1 & 0 \\ 0 & 0 & 1 & 0 & 1 & 1 \\ 1 & 1 & 0 & 0 & 1 & 1 \\ 0 & 1 & 1 & 1 & 0 & 1 \\ 1 & 0 & 1 & 1 & 1 & 0 \end{bmatrix} \cdot \begin{bmatrix} C_{10} \\ C_{30} \\ C_{30} \\ C_{12} \\ C_{23} \\ C_{31} \end{bmatrix} = \frac{2}{U^2} \begin{bmatrix} W_{e1} \\ W_{e2} \\ W_{e3} \\ W_{e4} \\ W_{e5} \\ W_{e6} \end{bmatrix}$$



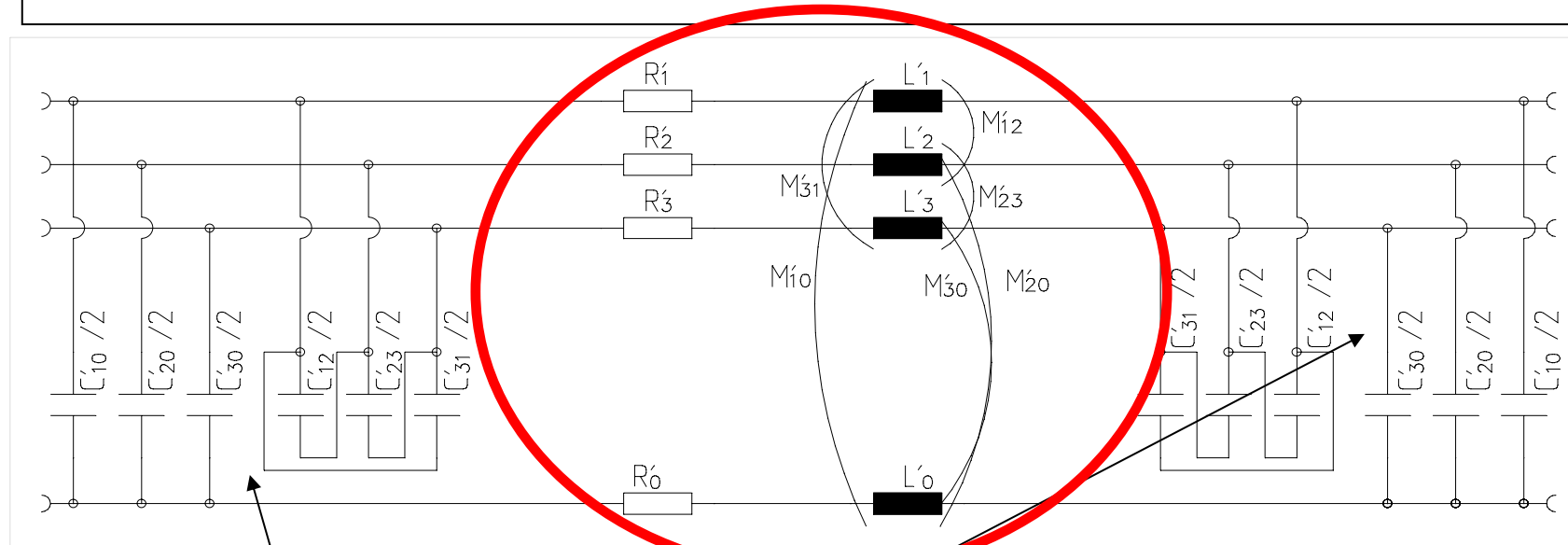
# Calculation of Cable Parameters for Different Cable Shapes



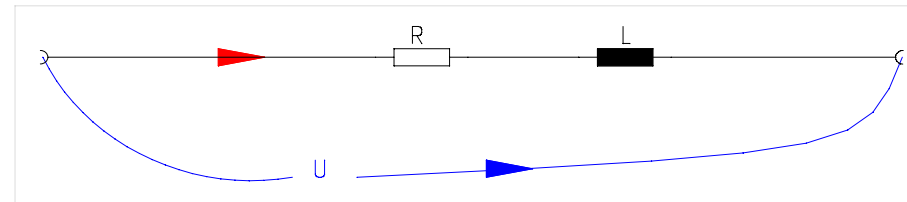
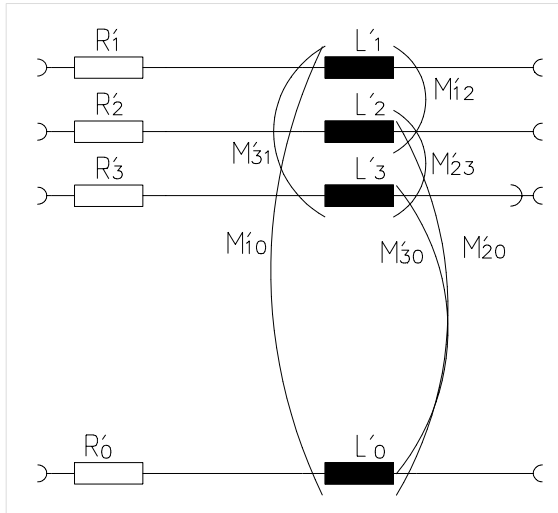
$$\begin{pmatrix} C'_{10} \\ C'_{20} \\ C'_{30} \\ C'_{12} \\ C'_{23} \\ C'_{31} \end{pmatrix} = \begin{pmatrix} 146 \\ 17.4 \\ 146 \\ 147 \\ 147 \\ 7.24 \end{pmatrix} \frac{nF}{km}$$



# Calculation of Cable Parameters for Different Cable Shapes

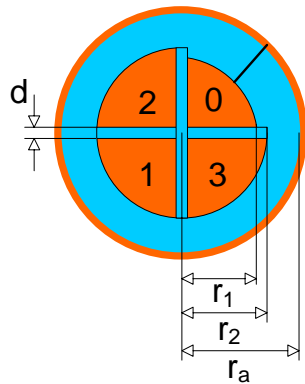


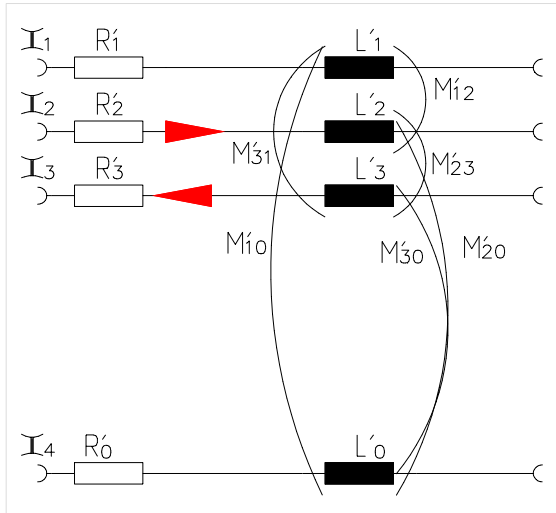
$$\begin{pmatrix} C'_{10} \\ C'_{20} \\ C'_{30} \\ C'_{12} \\ C'_{23} \\ C'_{31} \end{pmatrix} = \begin{pmatrix} 146 \\ 17.4 \\ 146 \\ 147 \\ 147 \\ 7.24 \end{pmatrix} \frac{nF}{km}$$



$$\underline{Z} = \frac{\underline{U}}{\underline{I}}$$

$$\underline{Z} = \underline{R} + j\omega \underline{L}$$



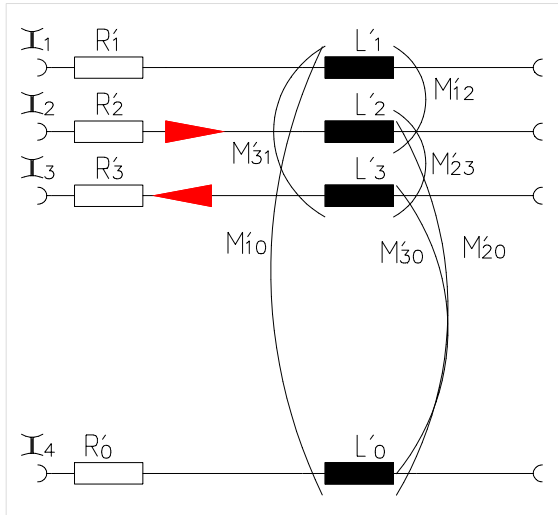


$$I_{ist2} = \iint \vec{S} d\vec{A} = -I_{ist3}$$

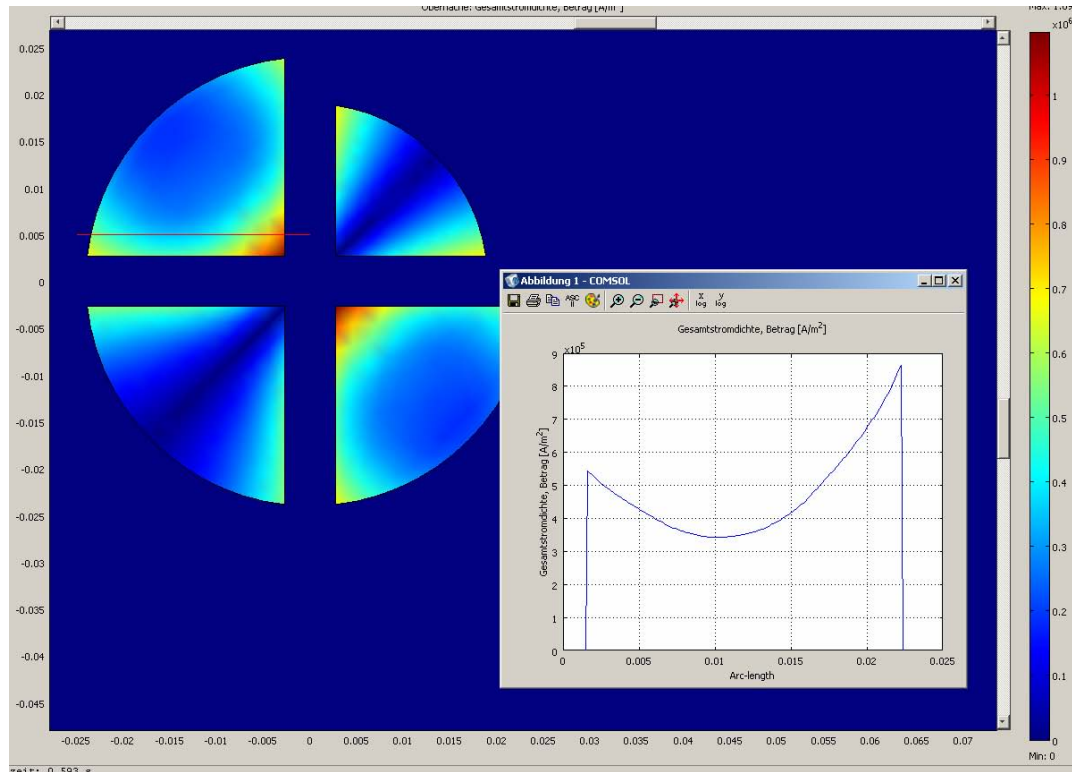
side condition

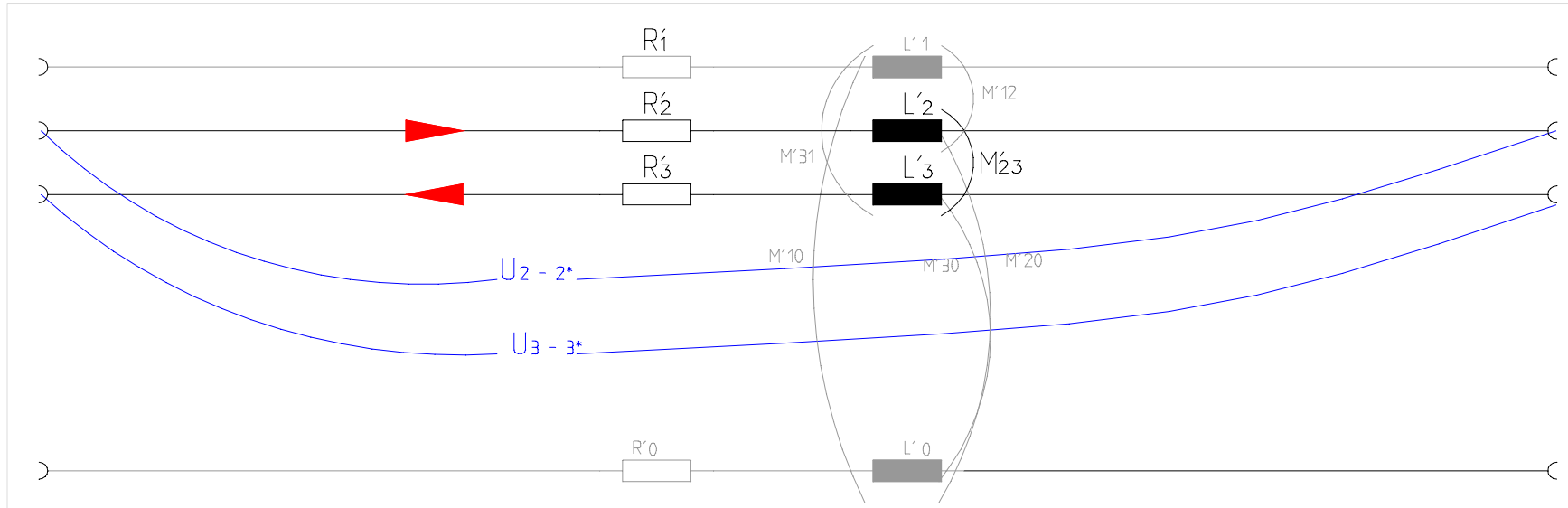
Global Equations		
Equation: $f(u, ut, utt, t) = 0$		
States		Weak
Name (u)	Equation $f(u, ut, utt, t)$	Init
U_err3	$-I_{ist3} - I_{soll}$	0
U_err2	$I_{ist2} - I_{soll}$	0





$$I_{ist2} = \iint \vec{S} d\vec{A} = -I_{ist3}$$



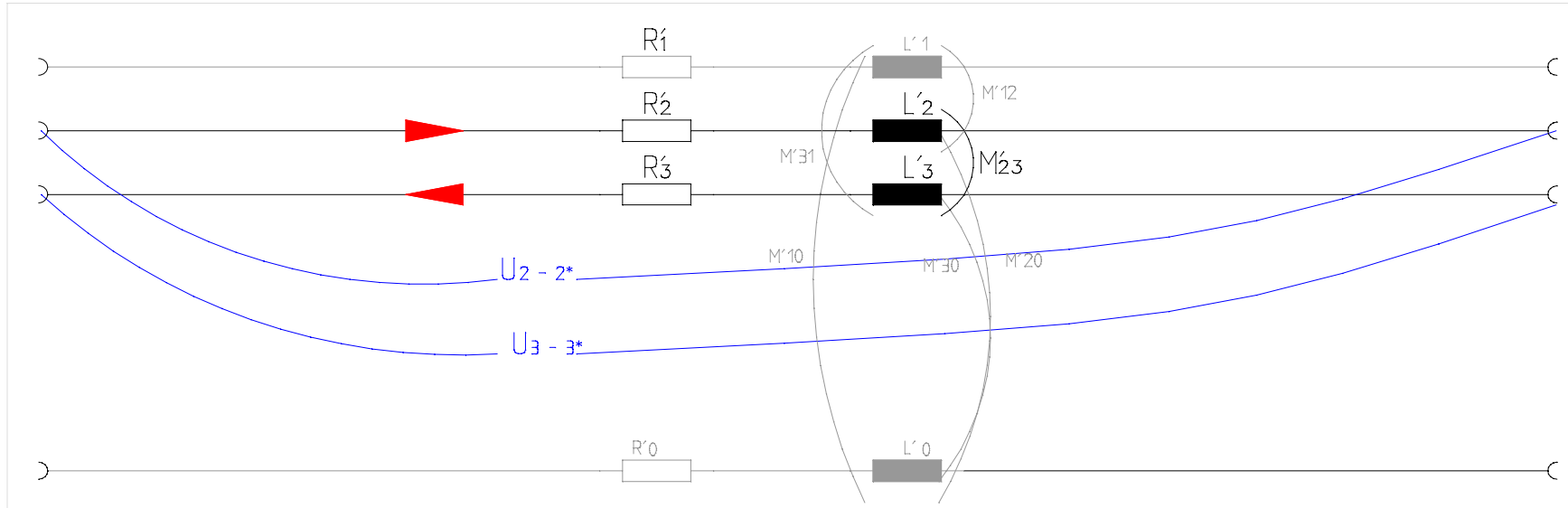


$$U_k = (R_k + j\omega L_k)I_k + \sum_{\substack{l=0 \\ l \neq k}}^3 M_{kl} I_l$$

$$U_{2-2^*} = I_2(R_2) + j\omega I_2(L_2) - j\omega I_1(M_{12}) - j\omega I_3(M_{23}) - j\omega I_0(M_{20})$$

$$U_{3-3^*} = I_3(R_3) + j\omega I_3(L_3) - j\omega I_1(M_{13}) - j\omega I_2(M_{23}) - j\omega I_0(M_{30})$$

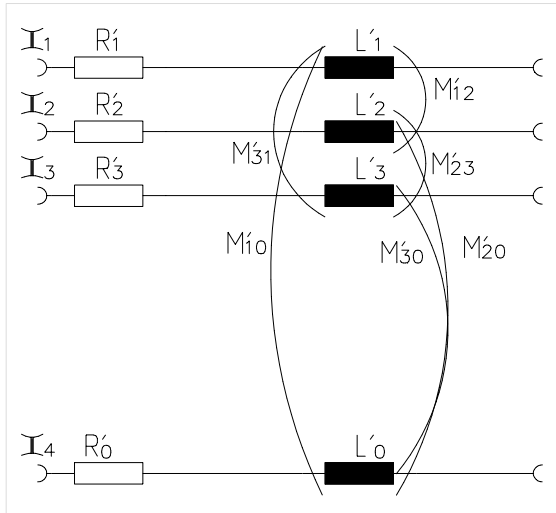
case  $I_1 = I_0 = 0$



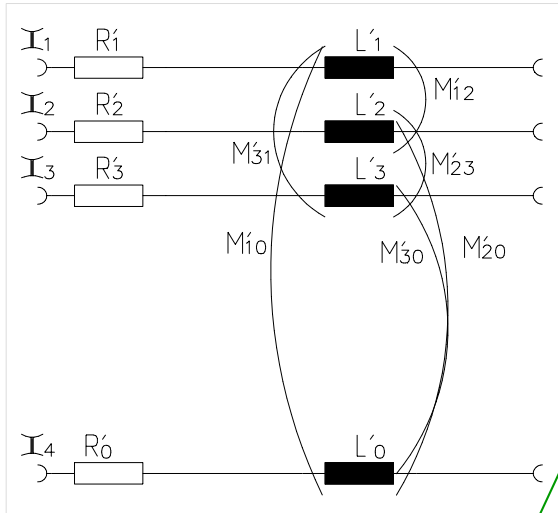
case  $I_1 = I_0 = 0$

$$Z_{2-2^*} = \frac{U_{2-2^*}}{I_2} = R_2 + j\omega(L_2 - M_{23}) = \frac{U_{err2}}{I_{ist2}}$$

$$Z_{3-3^*} = \frac{U_{3-3^*}}{I_3} = R_3 + j\omega(L_3 - M_{23}) = \frac{U_{err3}}{I_{ist3}}$$



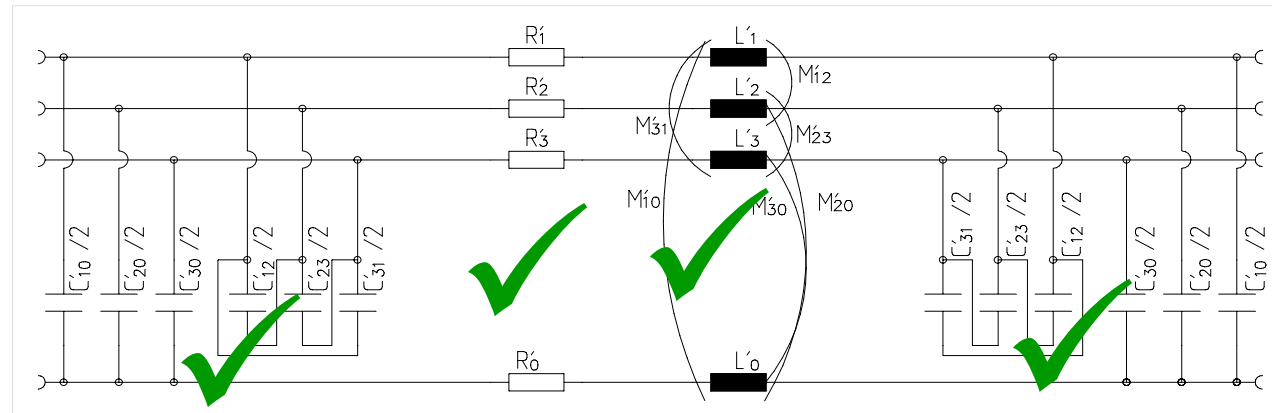
$$\begin{bmatrix}
 R_1 + j\omega L_1 & j\omega M_{12} & j\omega M_{13} & j\omega M_{20} \\
 j\omega M_{21} & R_2 + j\omega L_2 & j\omega M_{23} & j\omega M_{40} \\
 j\omega M_{31} & j\omega M_{32} & R_3 + j\omega L_3 & j\omega M_{30} \\
 j\omega M_{01} & j\omega M_{02} & j\omega M_{03} & R_0 + j\omega L_0
 \end{bmatrix}$$



$$\begin{bmatrix}
 1 & 1 & 0 & 0 & 0 & 0 & 0 & 0 & 0 & 0 \\
 1 & 0 & 1 & 0 & 0 & 0 & 0 & 0 & 0 & 0 \\
 1 & 0 & 0 & 1 & 0 & 0 & 0 & 0 & 0 & 0 \\
 0 & 1 & 0 & 0 & 1 & 0 & 0 & 0 & 0 & 0 \\
 0 & 0 & 0 & 0 & 1 & 1 & 0 & 0 & 0 & 0 \\
 0 & 0 & 0 & 0 & 1 & 0 & 1 & 0 & 0 & 0 \\
 0 & 0 & 1 & 0 & 0 & 0 & 0 & 1 & 0 & 0 \\
 0 & 0 & 0 & 0 & 0 & 1 & 0 & 1 & 0 & 0 \\
 0 & 0 & 0 & 0 & 0 & 0 & 0 & 1 & 1 & 0 \\
 0 & 0 & 0 & 1 & 0 & 0 & 0 & 0 & 0 & 1
 \end{bmatrix} \cdot \begin{bmatrix}
 R_1 + j\omega L_1 \\
 -j\omega M_{12} \\
 -j\omega M_{13} \\
 -j\omega M_{10} \\
 R_2 + j\omega L_2 \\
 -j\omega M_{23} \\
 -j\omega M_{20} \\
 R_3 + j\omega L_3 \\
 -j\omega M_{30} \\
 R_0 + j\omega L_0
 \end{bmatrix} = \begin{bmatrix}
 U_1 \\
 U_1 \\
 U_1 \\
 U_2 \\
 U_2 \\
 U_2 \\
 U_3 \\
 U_3 \\
 U_3 \\
 U_0
 \end{bmatrix}$$

Global Equations		
Equation: $f(u, ut, utt, t) = 0$		
States Weak		
Name (u)	Equation $f(u, ut, utt, t)$	Inil
U_err3	$-I_{ist3} - I_{soll}$	0
U_err2	$I_{ist2} - I_{soll}$	0

Postprocessing/  
Global Variables



Comsol Multiphysics program and the modules

„Electrostatic“

„AC Electromagnetic“



Høgskolen i Telemark

## Calculation of Cable Parameters for Different Cable Shapes



- Motivation
- Point of focus (transmission lines)
- Approach of estimating parameters using Multiphysics
- Verification
- Conclusions

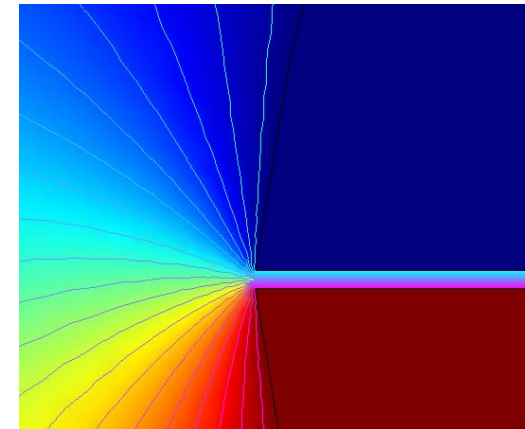
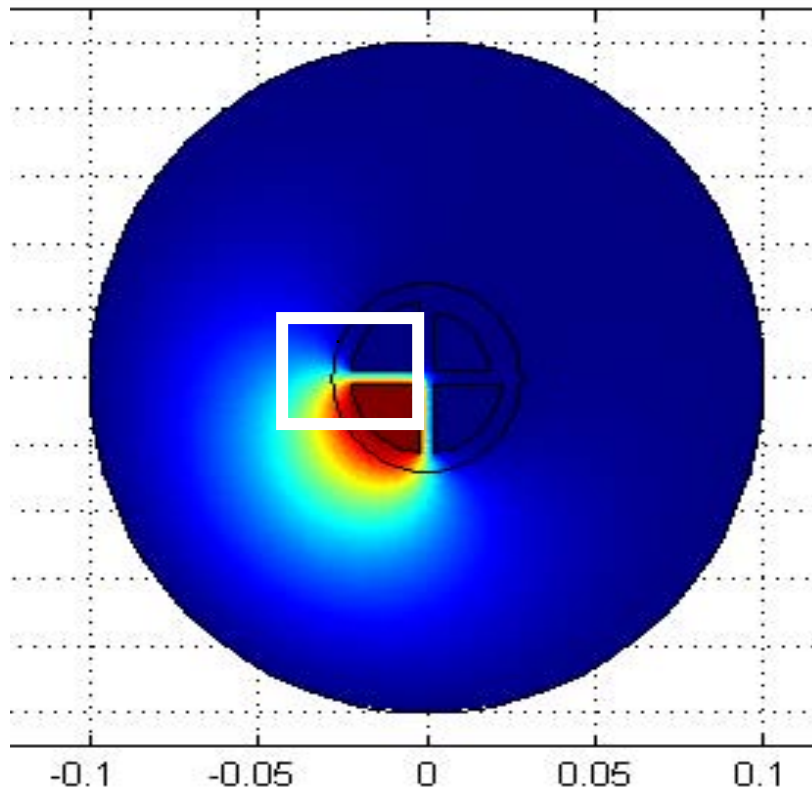
Hannover,  
05.Nov.2008

H. Lorenzen, J. Timmerberg  
UAS OOW Wilhelmshaven, Germany  
S. Mylvaganam  
Telemark University College, Porsgrunn, Norway

•31



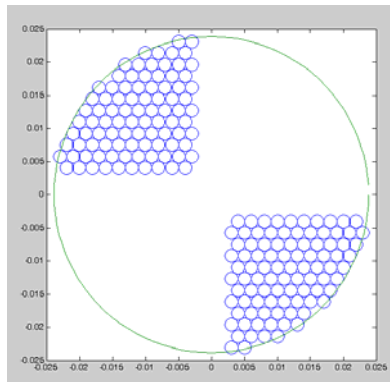
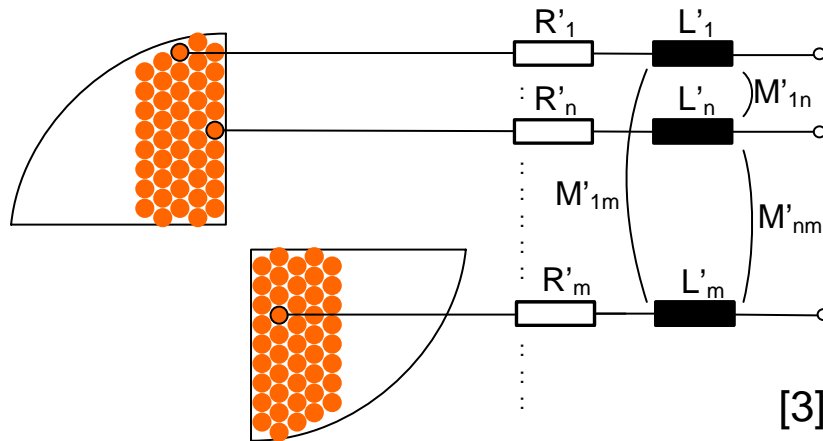
Surface: electric potential (V)



$$d = 5.7\text{mm} \rightarrow d_{Kontr} = 0.2\text{mm}$$

$$\frac{W_{Kontr}}{W_{FemLab}} = \frac{2.150 \cdot 10^{-3} \text{ Ws/m}}{2.205 \cdot 10^{-3} \text{ Ws/m}}$$



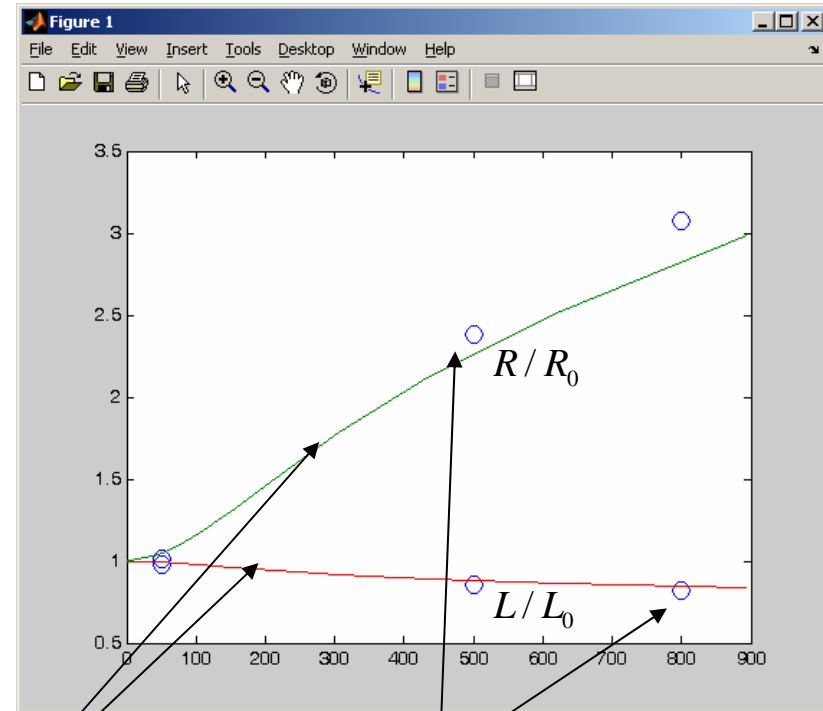
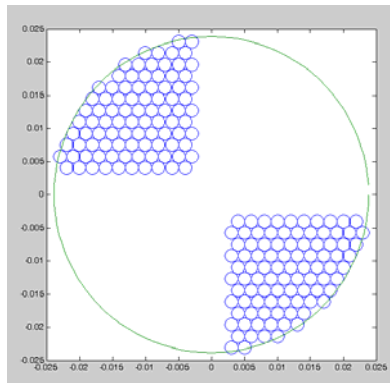
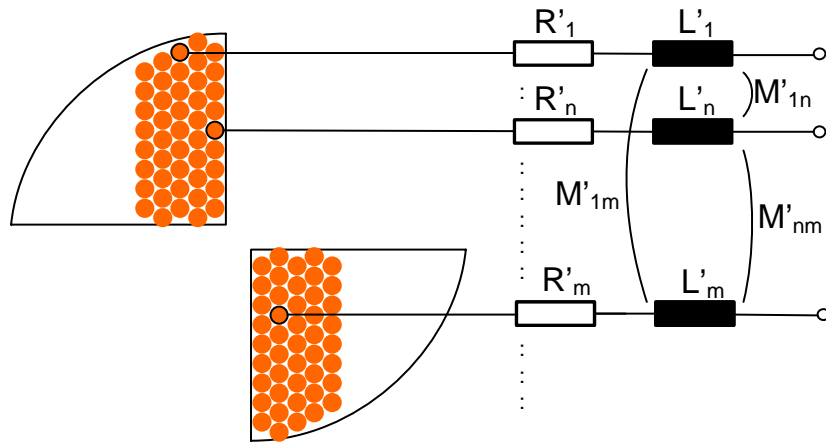


[3] Jung-Hsiang Wang; Modeling of Frequency-Dependent Impedance of the Third Rail Used in Traction Power Systems, IEEE Trans. on Power Delivery, Vol. 15, No. 2, April 2000

[4] Alexander W. Barr; Calculation of Frequency-Dependent Impedance for Conductors of Rec-tangular Cross Section, AMP Journal of Techno-logy Vol. 1 November, 1991



# Calculation of Cable Parameters for Different Cable Shapes



○ Results Femlab

- Results Partial wire method



Høgskolen i Telemark

## Calculation of Cable Parameters for Different Cable Shapes



- Motivation
- point of focus (transmission lines)
- Approach of estimating parameters using Multiphysics
- verification
- Conclusions

Hannover,  
05.Nov.2008

H. Lorenzen, J. Timmerberg  
UAS OOW Wilhelmshaven, Germany  
S. Mylvaganam  
Telemark University College, Porsgrunn, Norway

•35



- Comsol Multiphysics modules „Electrostatic“ and „AC Electromagnetic“
  - enable us to characterize the electrical parameters of cables for different frequencies
- Impedance values can be verified
  - using partial wire methods for inductances
  - simplified ideal models for capacitances
- helpful for scientific and industrial work